

MUP96AT-1W24V-B

Summary

MUP96AT-1W24V-B is a constant voltage mode output LED driver. This driver can be controlled by external signal Phase-Cut ,0-10V to achieve a smooth dimming effect.



Product Features

- Single channel constant voltage output,4A Max
- Wide input voltage of 120VAC ~ 277VAC
- Dimming range of 0.1-100%, and dimming effect smooth, flicker free
- 100% output when no dimming signal input, can be used as normal power supply
- Protection: Over load; short circuit; Over Current
- IP20, suitable for indoor LED lighting application

Application



Wall Washer



LED Strip Light



LED Tube



Underground Light

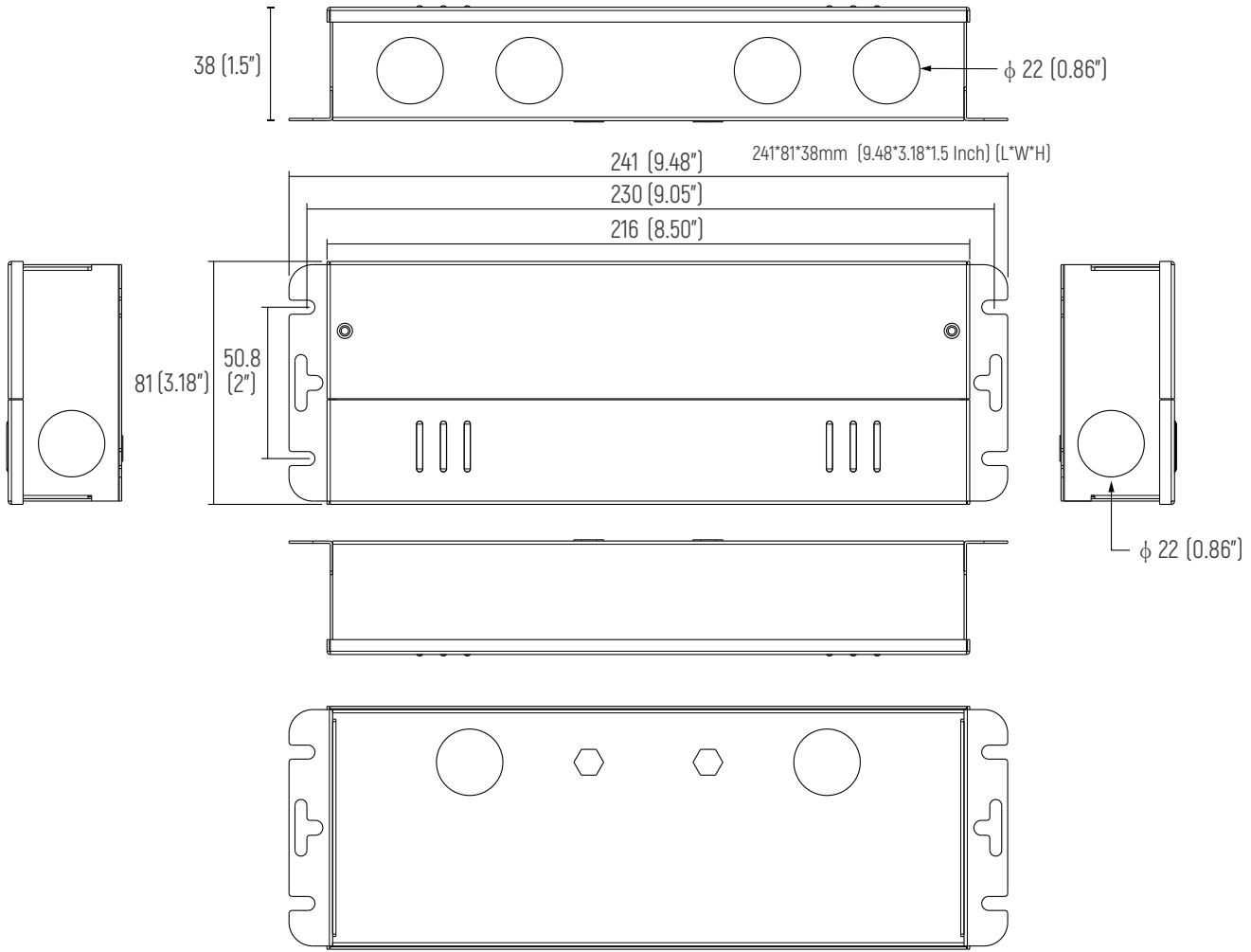


AR111 Venture Light

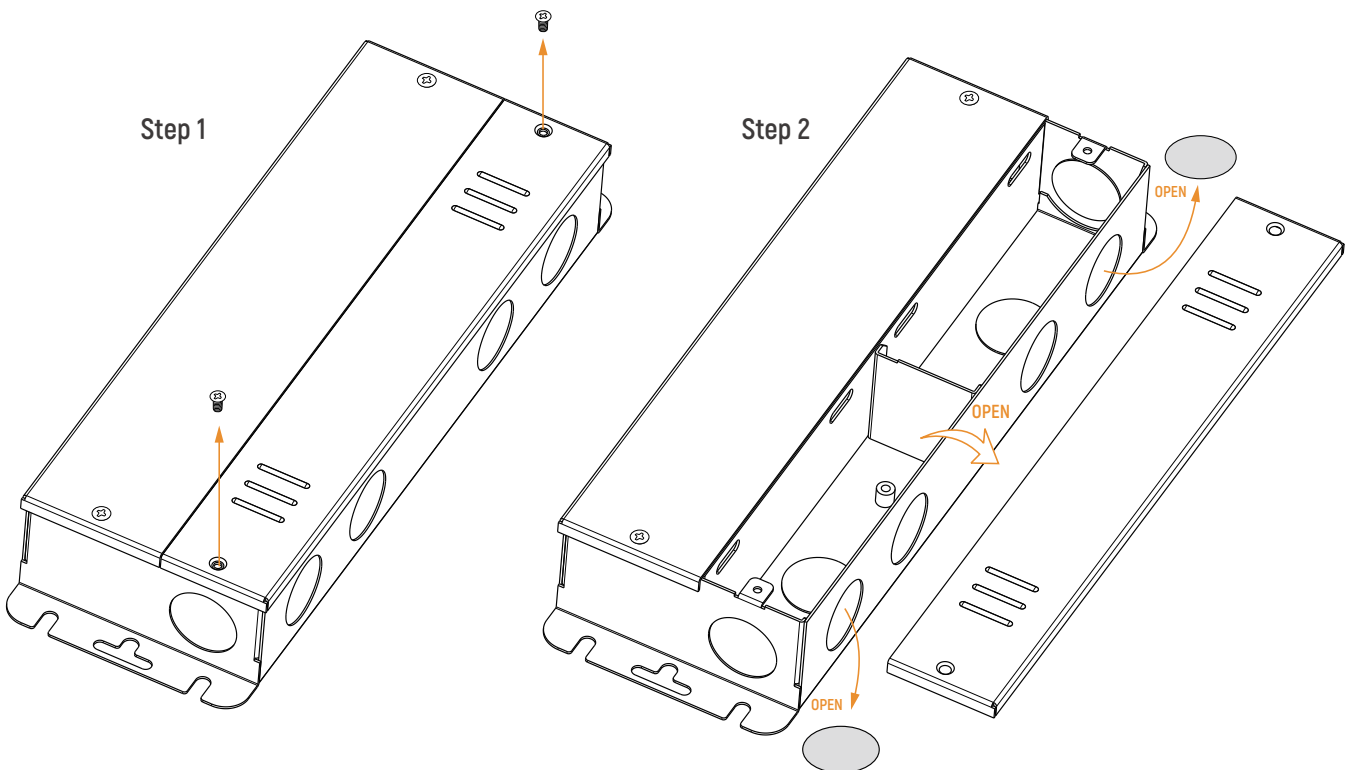
Technical Paramaters

Model	MUP96AT-1W24V-B	
Input	Efficiency	≥88%@230VAC, full load
	Voltage	120VAC-277VAC
	Frequency Range(Hz)	50/60Hz
	AC Current(max)	0.6Amax@230VAC 1.1Amax @120VAC
	PF	≥0.95@230VAC, full load
	THD	<10%@230VAC, full load
	Inrush Current(max)	Cold start,35A@230VAC590us
	Standby power	<2.5W@230VAC
	No load power	<2.5W@230VAC
	Turn on delay Time	<0.75s, at230Vac (When the light begins to shine)
Output	Current	4A
	Voltage	24VDC
	Voltage Range	24VDC ±5%
	Power	96W
	Channel	1
	PWM Frequency	20K Hz
Function	Dimming Type	0-10V, TRIAC/ELV[@120VAC 60Hz]
	Dimming Range	0.1%-100%(0-10V) 1%-100%(TRIAC/ELV)
	Dimming curve	Logarithm
	Flicker	Flicker free
Protection	Short Circuit	Switch off the output power, working automaically after troubleshooting.
	Over Load	Voltage and current drop, self-recovery after troubleshooting
	Over Current	Voltage and current drop, self-recovery after troubleshooting
Safety&EMC	Surge	L-N 2500VAC L-N-PG 2500VAC
	Withstand Voltage	I/P-0/P: 3750Vac/1min/<5mA I/P-PG:1500Vac/1min/<5mA 0/P-PG:500Vac/1min/<5mA
	Safety standards	UL8750 UL1310 CSA25013.CSA Class P
	EMC Eission	FCC PART15B
	EMC Immunity	IEC 61000-4-2-3-4-5-6-8-11
	Insulation Resisance	5MΩ
Others	Working Temp.	-20°C~+60°C (-4°F-140°F)
	Storage Temp., Humidity	-40°C~85°C (-40°F-185°F), 20-90%RH
	tc	85°C (185°F)
	Material	Metal
	IP Rating	IP20
	Lifetime	50,000h@ta:50°C(122°F)
	Warranty Condition	5 years
	Switch Cycle	25,000 times
	Packing(weight)	Net weight: 937g(2.1 lb)±5%/PCS; 10PCS/Carton;9.6kg(21 lb)±5%/Carton; Carton Size: 254*254*192mm (10*10*7.55 Inch) [L*W*H]
	Dimension	241*81*38mm [9.48*3.18*1.5 Inch] [L*W*H]

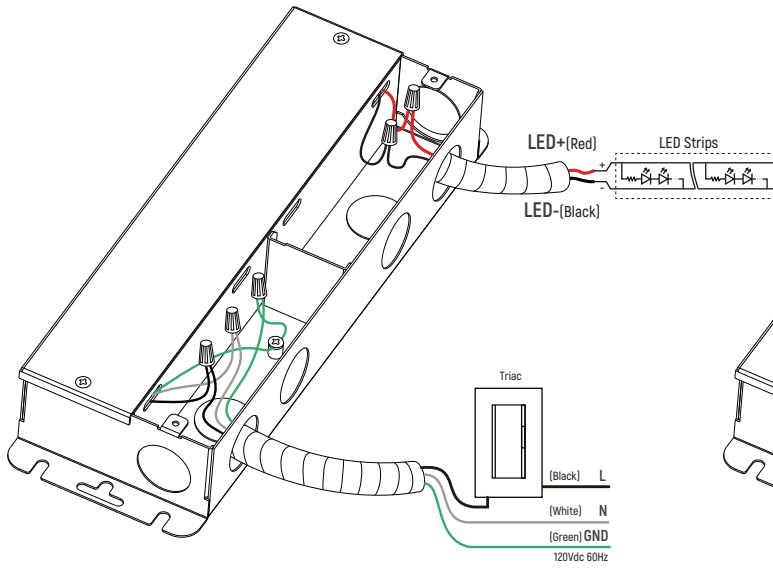
Dimension(Inch)



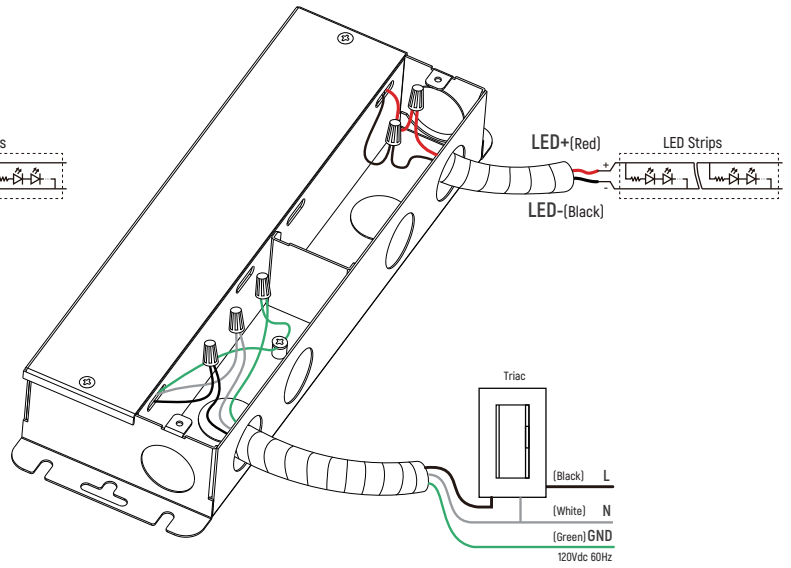
Wiring



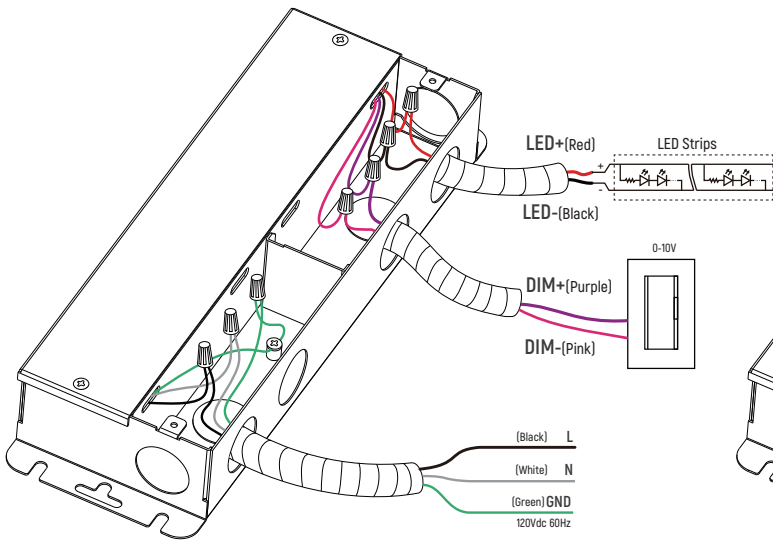
Step 3 Using Triac MLV wiring diagram



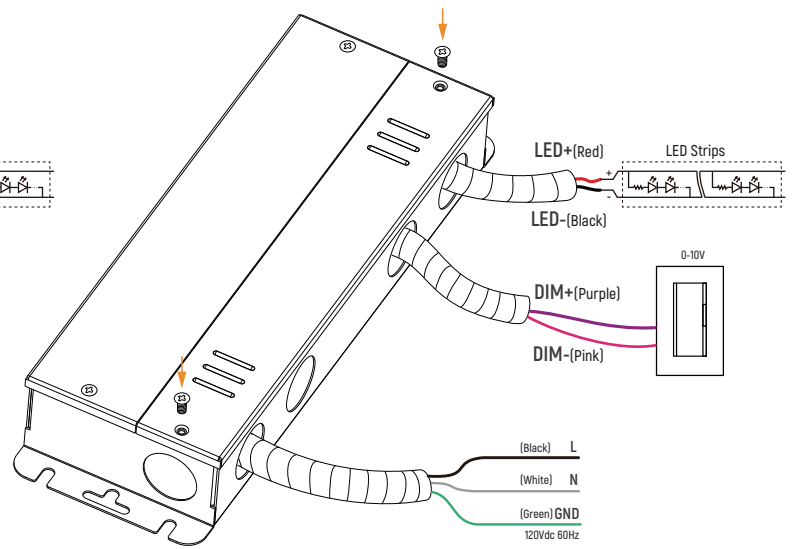
Step 4 Using Triac ELV wiring diagram



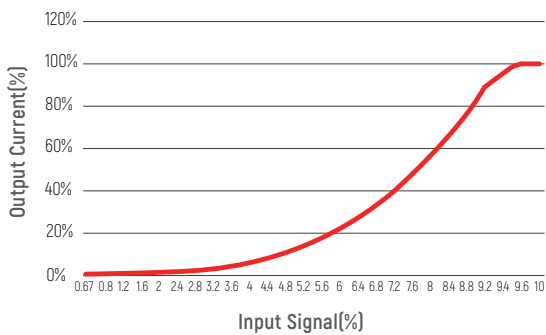
Step 5 0-10V wiring diagram



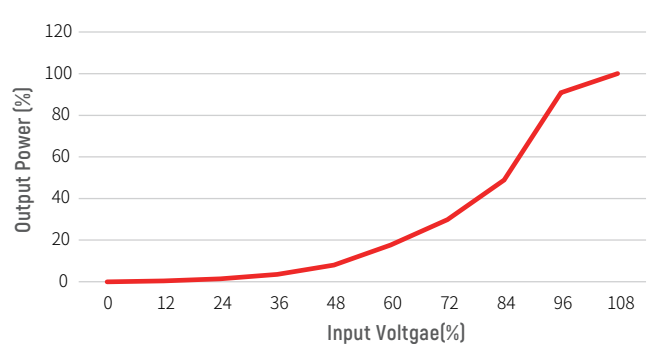
Step 6



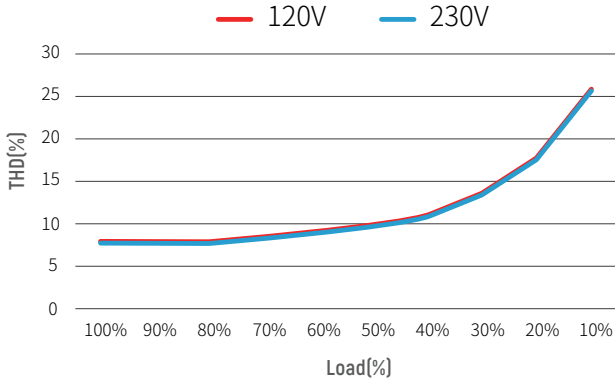
0-10V Dimming Curve



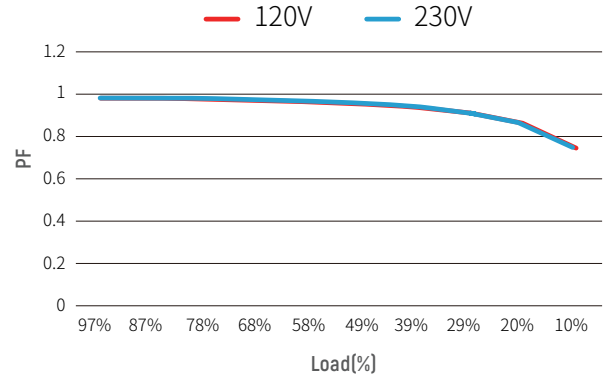
Phase-Cut Dimming Curve



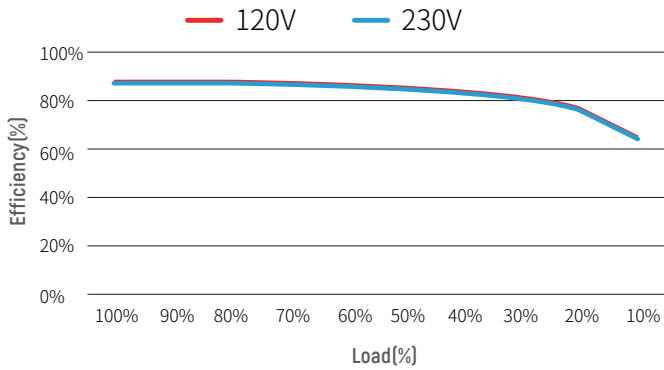
THD vs Load



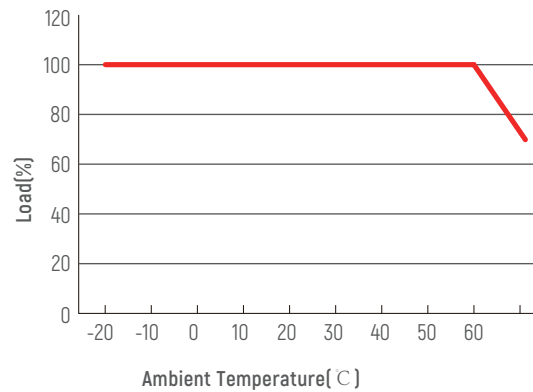
PF vs Load



Efficiency vs Load%



Derating Curve



Cautions

- 1.This product should be installed by qualified personnel.
- 2.This product is non waterproof, need to avoid sun and rain.In case of outdoor use, please ensure it is mounted in a water proof enclosure.
- 3.Good heat dissipation conditions extend product life. Please install the product in a well-ventilated environment.
- 4.Please make sure LED power supply output voltage, current is used to meet the product requirements.
- 5.Please ensure that adequate sized cable is used from the controller to the LED lights to carry the current. Please also ensure that the cable is secured tightly in the connector.
- 6.Due to safety concerns, PVC or rubber cord of 0.75- 2.5mm² is recommended for input and output terminal(s)(excluding signal terminals). Flat power cord is not suitable.Ensure all wire connections and polarities are correct before applying power to avoid any damages to the LED lights.
- 7.In case of malfunction, do not repair it yourself.

※ The contents of this manual are updated without prior notice. If the function of the product you are using is inconsistent with the instructions, the function of the product shall prevail.Please contact us if you have any questions .