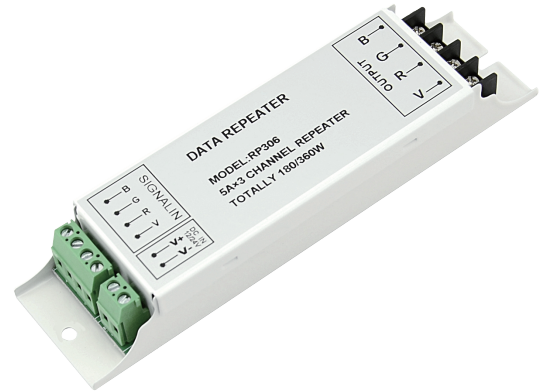


RP306

Features

- For power repeat of synchronous changing signal;
- 3 channel RGB control , the max current of each channel up to 5 A;
- Accepts PWM control;
- Match with many kinds of LED modules;
- Theoretically we can connect limitless LED modules by connecting the repeaters in series.

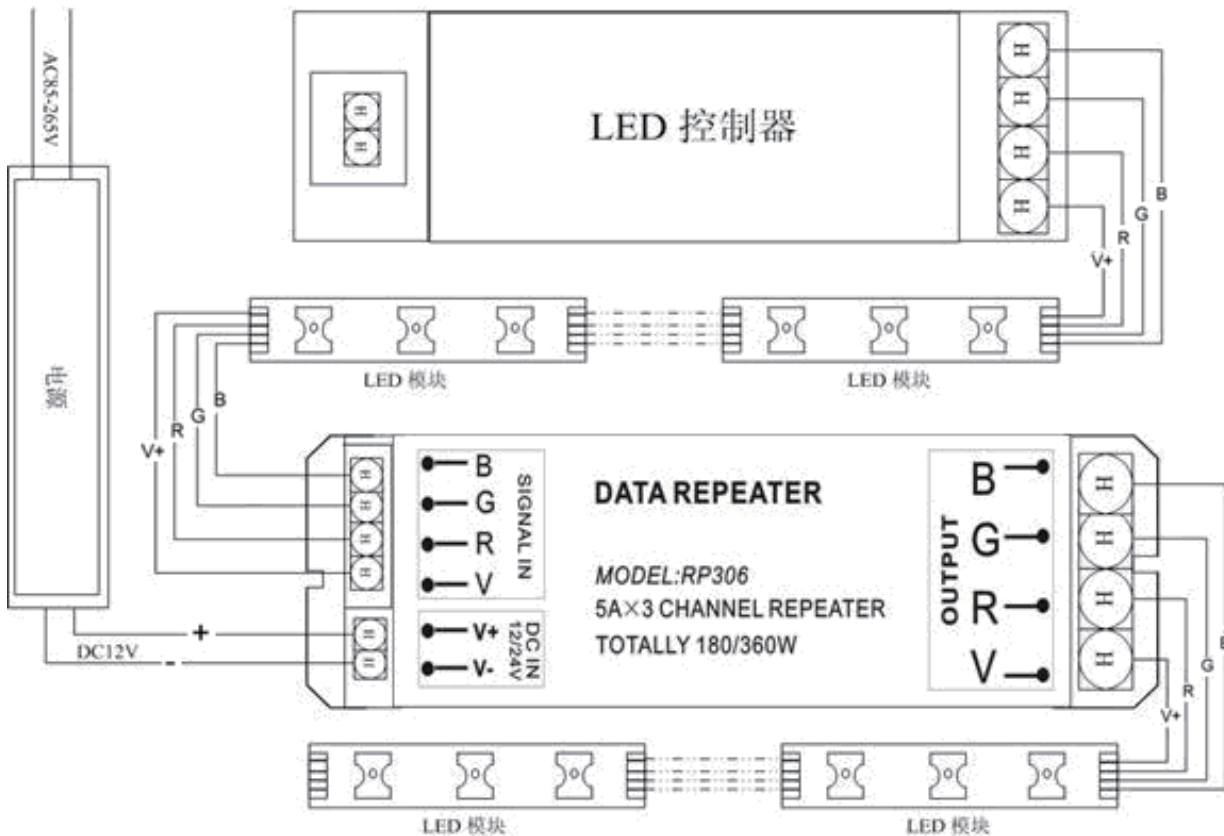


Applications

- Building Decoration: Business spaces,airports,subway;
- Indoor Decoration: Lighting and back lighting for hospital, hotel, marketplace, square, dining-room, pub and etc;
- AD solid Word,sign and mark,signboard and billboard;
- Be used as big area back lighting source.

Product Attributes

POWER SUPPLY	DC 12-24V
I/O CHANNEL	3
P out	5A[EACH CHANNEL Max],12V,180W/24V,360W
Size	165(L)X39(W)X26(H) mm
Weight	142g



Remark:

- ① Can control various single color modules and RGB modules with the common anode.
- ② Can connect 100 pieces of RGB modules or 300 pieces of single color modules, or a number of high power LED lamps (according to the connection method).

RP306

产品特性

- 用于同步变化信号的功率放大；
- 三通道RGB控制, 每路最大5安培；
- 可接受PWM(脉宽调制)控制；
- 可适用各种LED模块；
- 多个功率放大器串接, 理论上可接无限多LED模块。



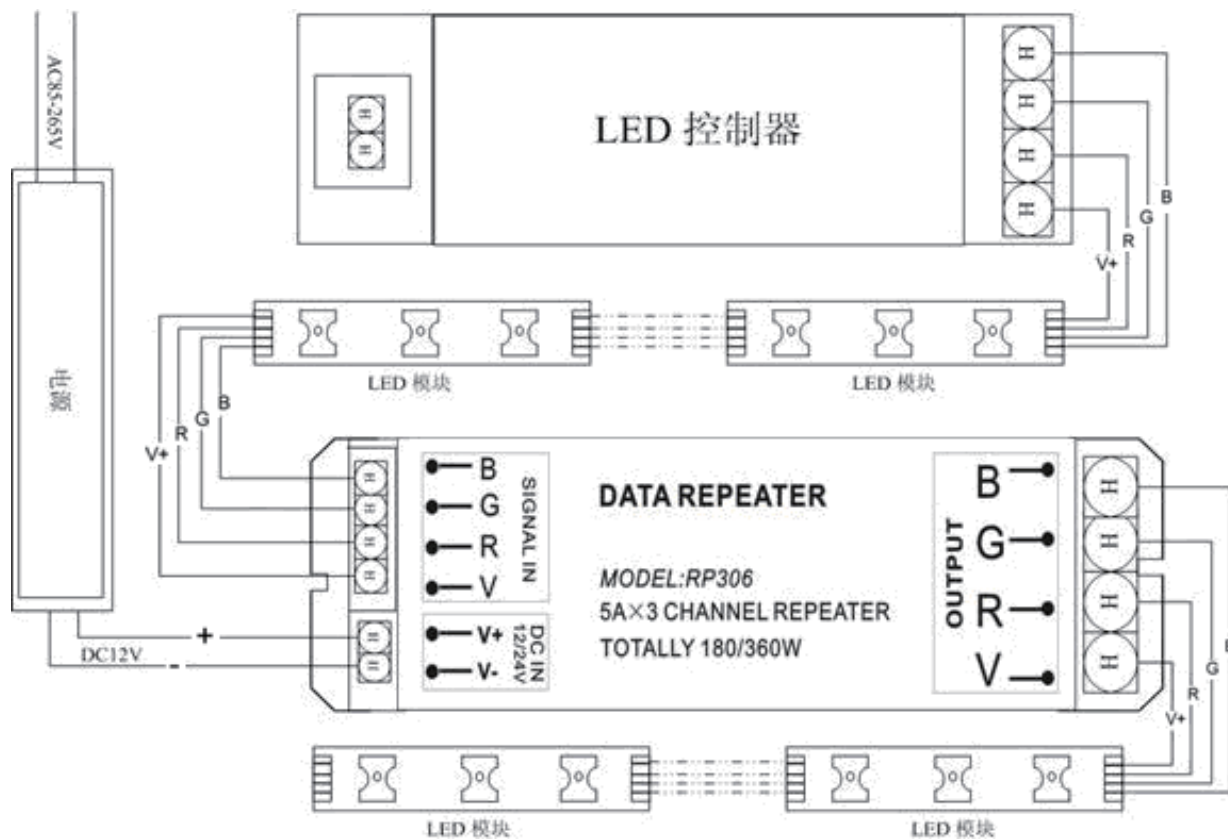
应用场合

- 建筑装饰: 商业空间、机场、建筑工程、地铁；
- 室内装饰: 医院、饭店、百货商场、广场、餐厅、PUB 设计灯光、背景家居装饰；
- 广告立体字、标志标识、招牌、广告灯箱；
- 作为大面积背光源使用。

产品规格

电源输入	直流12-24V
输入/出通道数	3
功率输出	每通道5安培 (最大), 12V:180W, 24V:360W
外观尺寸	长165X宽39X高26(毫米)
重量	142克

连线示意图



- 注:
- ①可接各种单色模组和共阳极连接的全彩模组；
  - ②可接全彩模组200条, 单色模组600条或多只大功率LED (根据连接方式)。